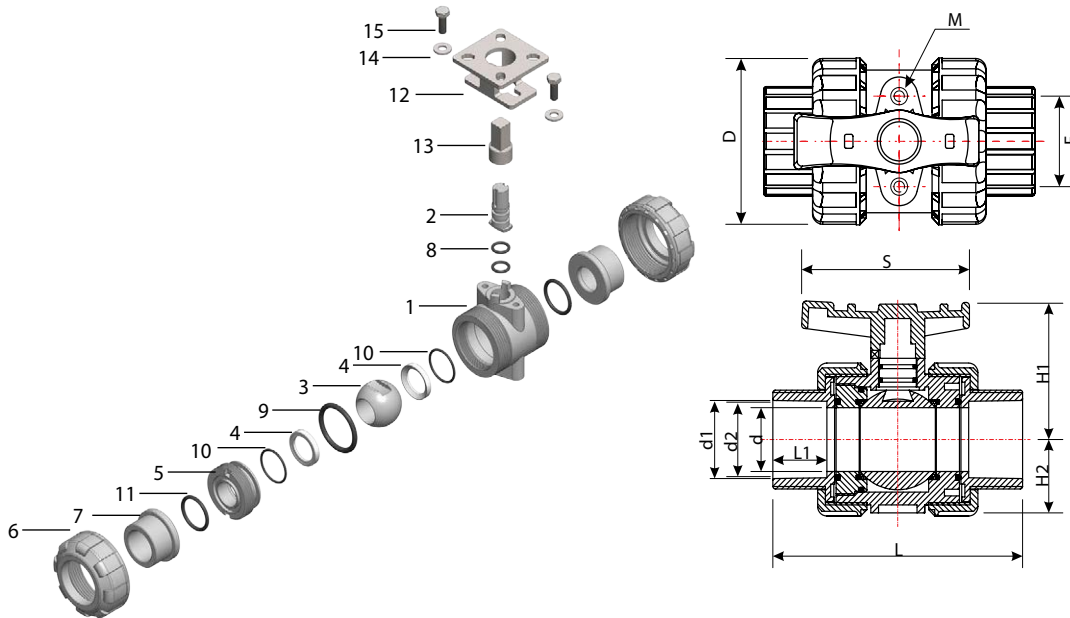


KH-V209 Series U-PVC True Union Socket Ball Valves - Acid & Water Type

- Available in sizes ranging from DN15 to DN65 with a 3-piece body constructed of UPVC and plain female ends for socket fusion joining.
- ISO 5211 compatible mounting bracket and drive coupling needed for pneumatic or electric actuator assembly available upon request.
- Molded lugs on the handle facilitates dismounting of seal carrier.
- Ideal for use in commercial and general industrial applications such as sewage and water treatment, chemicals, swimming pools.
- Max Allowable Operating Pressure 10 bar.
- O-Rings and seals shall be EPDM or FKM.



Pneumatically Actuated PVC Ball Valve



Electrically Actuated PVC Ball Valve

Material List

| No | Part Name | Qty | Su Type | Asit Type | No | Part Name | Qty | Su Type | Asit Type | No | Part Name | Qty | Su Type | Asit Type |
|----|--------------|-----|---------|-----------|----|------------------|-----|---------|-----------|----|------------------|-----|---------|-----------|
| 1 | Body | 1 | UPVC | UPVC | 6 | Union Nut | 2 | UPVC | UPVC | 11 | Union Seal | 2 | EPDM | VITON |
| 2 | Stem | 1 | UPVC | UPVC | 7 | End Connector | 2 | UPVC | UPVC | 12 | Mounting Bracket | 1 | SS304 | SS304 |
| 3 | Ball | 1 | UPVC | UPVC | 8 | Stem O-Ring | 2 | EPDM | VITON | 13 | Stem Coupler | 1 | SS304 | SS304 |
| 4 | Seal Carrier | 2 | PTFE | PTFE | 9 | Body Seal | 1 | EPDM | VITON | 14 | Washer | 2 | SS304 | SS304 |
| 5 | Union Bush | 1 | UPVC | UPVC | 10 | Ball Seat O-Ring | 2 | EPDM | VITON | 15 | Bolt | 2 | SS304 | SS304 |

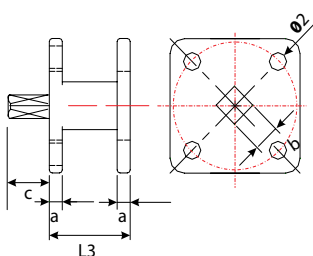
Dimensions(mm)

| Size Inch/DN | d | d1 | d2 | D | L | L1 | S | H1 | H2 | F | M |
|--------------|----|------|------|-----|-----|------|-------|-----|------|----|----|
| 1/2" (15) | 15 | 20,3 | 20,1 | 53 | 104 | 22,5 | 65,8 | 49 | 24,5 | 31 | M6 |
| 3/4" (20) | 20 | 25,3 | 25,1 | 61 | 115 | 26 | 78,6 | 60 | 29,5 | 33 | M6 |
| 1" (25) | 25 | 32,3 | 32,1 | 71 | 131 | 30 | 86,7 | 68 | 34 | 40 | M6 |
| 1 1/4" (32) | 32 | 40,3 | 40,1 | 83 | 147 | 32 | 97,4 | 76 | 38 | 52 | M6 |
| 1 1/2" (40) | 40 | 50,3 | 50,1 | 96 | 164 | 35 | 108,6 | 85 | 45 | 52 | M8 |
| 2" (50) | 50 | 63,3 | 63,1 | 116 | 210 | 40 | 132 | 97 | 55 | 70 | M8 |
| 2 1/2" (65) | 65 | 75,3 | 75,1 | 150 | 240 | 46 | 150 | 180 | 70 | 83 | M8 |



PVC Ball Valve with ISO5211 Bracket

Bracket Dimensions



| Size (Inch/DN) | b | ISO 5211 | Ø2 | a | L3 | Torque (Nm) |
|----------------|----|----------|-------|-----|----|-------------|
| 1/2" (15) | 9 | F04 | 6 | 4,5 | 28 | 15 |
| 3/4" (20) | 9 | F04 | 6 | 4,5 | 28 | 21 |
| 1" (25) | 11 | F04-F05 | 7 | 5 | 50 | 24 |
| 1 1/4" (32) | 11 | F04-F05 | 7 | 5 | 50 | 33 |
| 1 1/2" (40) | 11 | F05 | 8 | 6 | 50 | 40 |
| 2" (50) | 11 | F05 | 8 | 6 | 50 | 52 |
| 2 1/2" (65) | 17 | F07-F10 | 10-12 | 6 | 70 | 90 |

Note: Torque values given above are based on liquid media.

Airtec bestelcodering:

KH-V209-xxx-DNxxx-PVC-HND

| Kogelkraan | Serie | Inch | DN Aansluiting | Materiaal | Bediening |
|------------|-------|--|---|-----------|--|
| KH | V209 | 12 = 1/2" 34 = 3/4" 10 = 1" 114 = 1 1/4" 112 = 1 1/2" 20 = 2" 212 = 2 1/2" | DN015 DN020 DN025 DN032 DN040 DN050 DN065 | PVC | HND = Handhevel PAxx = Standaard dubbelwerkende actuator PAxxS= Optioneel enkelwerkende actuator |